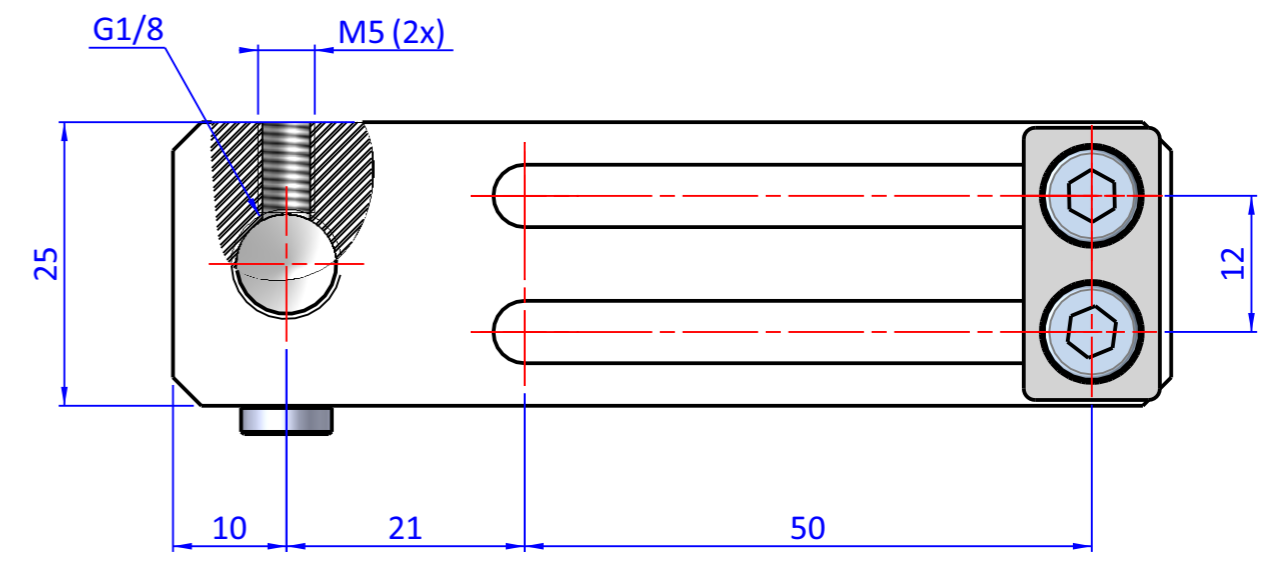
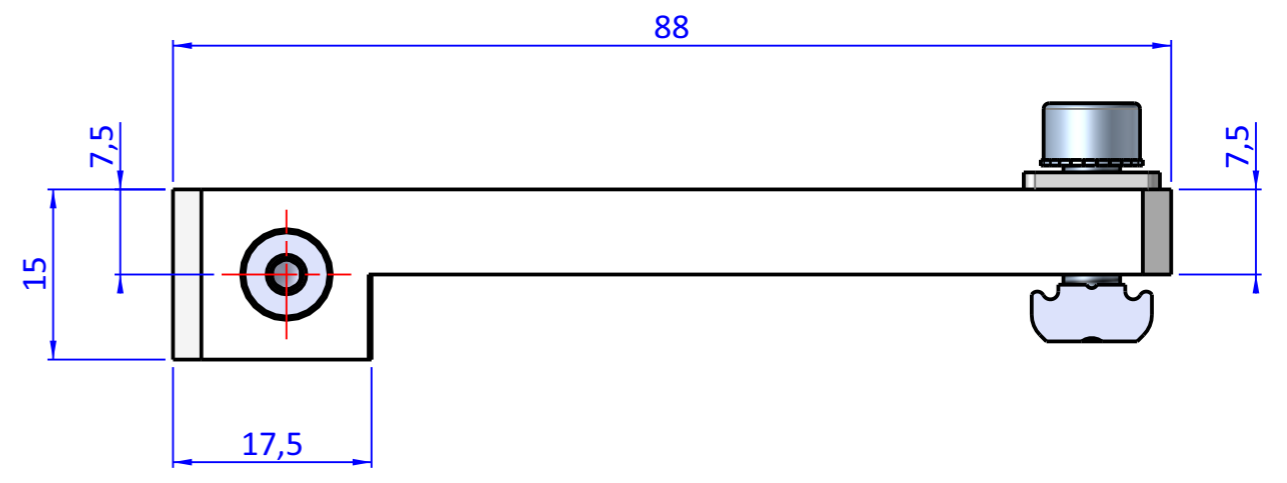
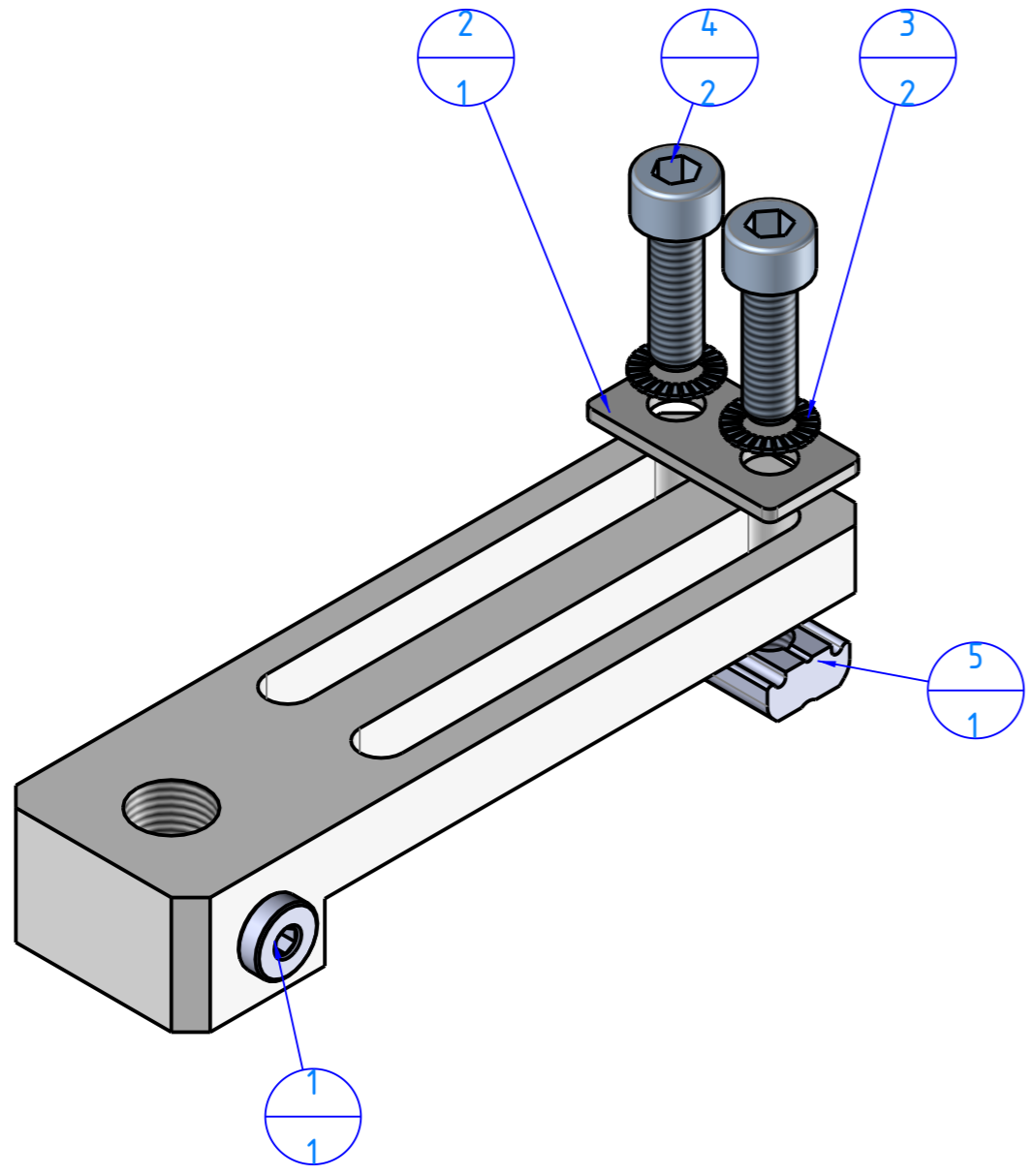

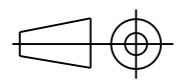


THE PROPERTY OF THE DRAWING IS ESTABLISHED BY LAW. IT IS FORBIDDEN TO PRODUCE OR SHOW IT TO THIRD PART WITHOUT A WRITTEN AGREEMENT.

Item	Name	Q.ty
1	CA.WLS.18.M5	1
2	R.05.12	1
3	R.5.SCH	2
4	V.TCE5x16	2
5	GWP.5.12	1



Format A3
UNI 936-76

 FPS FPSERVICES AUTOMATION			DESIGNED FROM FPS Automation	REVIEW A
GENERAL TOLERANCE UNI - ISO 2768 CLASSE f	DESCRIPTION CA.WLS.18.M5.X	DATE 05/06/2024	WEIGHT 0,060kg	CODE CA.WLS.18.M5.X